

The
United
States
of
America



**The Director of the United States
Patent and Trademark Office**

Has received an application for a patent for a new, original, and ornamental design for an article of manufacture. The title and description of the design are enclosed. The requirements of law have been complied with, and it has been determined that a patent on the design shall be granted under the law.

Therefore, this

United States Patent

Grants to the person(s) having title to this patent the right to exclude others from making, using, offering for sale, or selling the design throughout the United States of America or importing the design into the United States of America for the term of fourteen years from the date of grant of this patent, subject to any disclaimer under 35 U.S.C. 253.

Michelle H. Lee

Director of the United States Patent and Trademark Office



US00D727830S

(12) **United States Design Patent**
Arboix

(10) **Patent No.:** **US D727,830 S**
(45) **Date of Patent:** **** Apr. 28, 2015**

(54) **FILM TYPE HEADS UP DISPLAY FOR A VEHICLE**

- (71) Applicant: **Optea AB**, Stockholm (SE)
- (72) Inventor: **Esteban Arboix**, Sundbyberg (SE)
- (73) Assignee: **Optea AB**, Stockholm (SE)
- (**) Term: **14 Years**
- (21) Appl. No.: **29/448,432**
- (22) Filed: **Mar. 12, 2013**

(30) **Foreign Application Priority Data**

Sep. 17, 2012 (EM) 002103978-0001

(51) **LOC (10) Cl.** **12-16**

(52) **U.S. Cl.**
USPC **D12/400; D16/221; D16/241**

(58) **Field of Classification Search**
CPC G03H 1/22; G03H 2001/2215; G03H 2001/2221; G08G 5/0017; G09B 9/307; G09B 9/32; G09B 9/34; H04N 9/31; H04N 9/3129

USPC D12/15, 92, 93, 191, 192, 193, 400, D12/415, 417, 418, 420; D14/314, 322, D14/326, 336, 371, 372, 375, 432; D16/221, 225, 229, 232, 235, 236, D16/241; 248/917; 353/79; D15/28

See application file for complete search history.

(56) **References Cited**

U.S. PATENT DOCUMENTS

D228,807	S	*	10/1973	Cinque	D16/225
5,999,232	A	*	12/1999	Kepley et al.	348/744
D619,133	S	*	7/2010	Bucsa	D14/314
D625,929	S	*	10/2010	Mitchell et al.	D14/371
D637,569	S	*	5/2011	Desai et al.	D14/126
D650,822	S	*	12/2011	Iwama et al.	D16/221
8,267,527	B2	*	9/2012	Kepley, Jr.	353/79
D668,653	S	*	10/2012	Chiu	D14/371
D699,280	S	*	2/2014	Lim et al.	D16/241
D709,068	S	*	7/2014	Kurihara	D14/371
D712,867	S	*	9/2014	Vats	D14/375
2007/0035511	A1	*	2/2007	Banerjee et al.	345/156
2014/0327613	A1	*	11/2014	Chessa et al.	345/156

OTHER PUBLICATIONS

Optea ForestFalcon Head's Up Display System. (Oct. 2012), [online], [site visited Dec. 23, 2014]. Available from internet, <URL: Retrieved from http://www.optea.com/wp-content/uploads/2014/04/81-FF-00001-01_Eng.pdf>.*

* cited by examiner

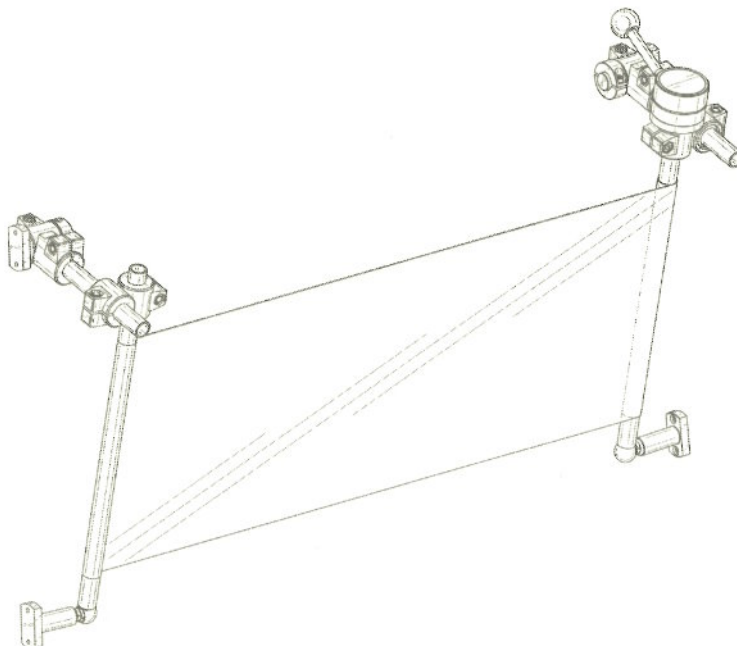
Primary Examiner — Jeffrey D Asch
Assistant Examiner — Natasha Vujcic
(74) *Attorney, Agent, or Firm* — Sughrue Mion, PLLC

(57) **CLAIM**
The ornamental design for a film type heads up display for a vehicle, as shown and described.

DESCRIPTION

FIG. 1 is a left side isometric view of a film type heads up display for a vehicle according to my new design; and, FIG. 2 is a right side isometric view thereof.

1 Claim, 2 Drawing Sheets



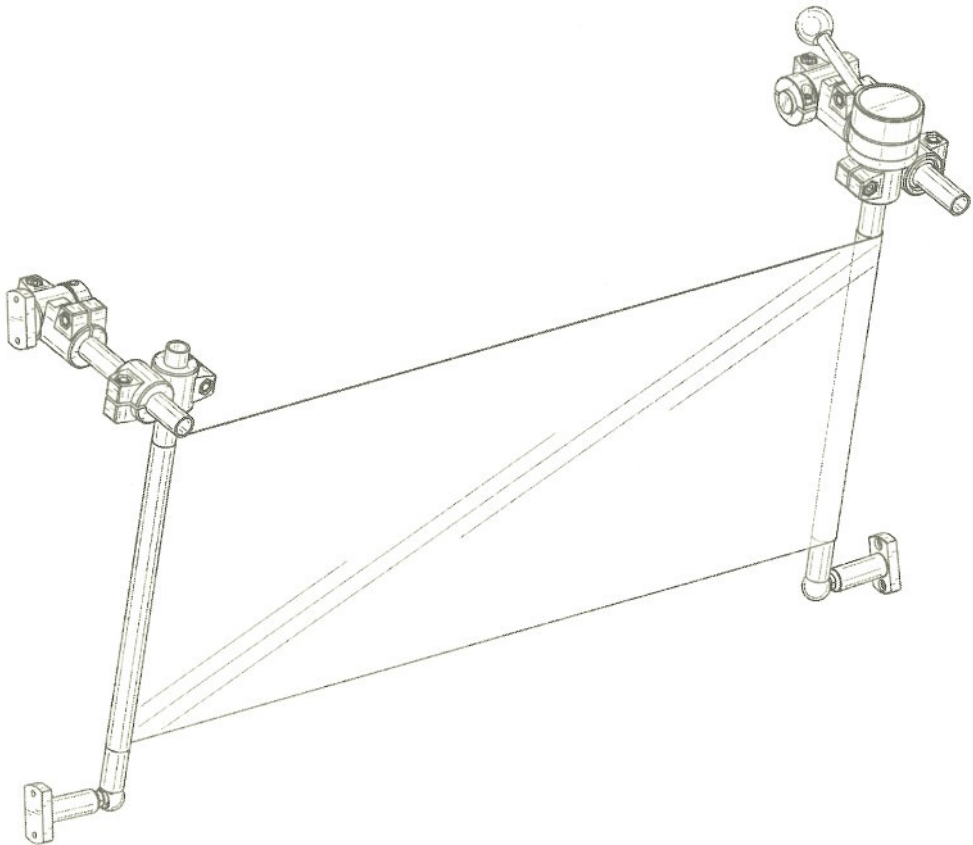


FIG. 1

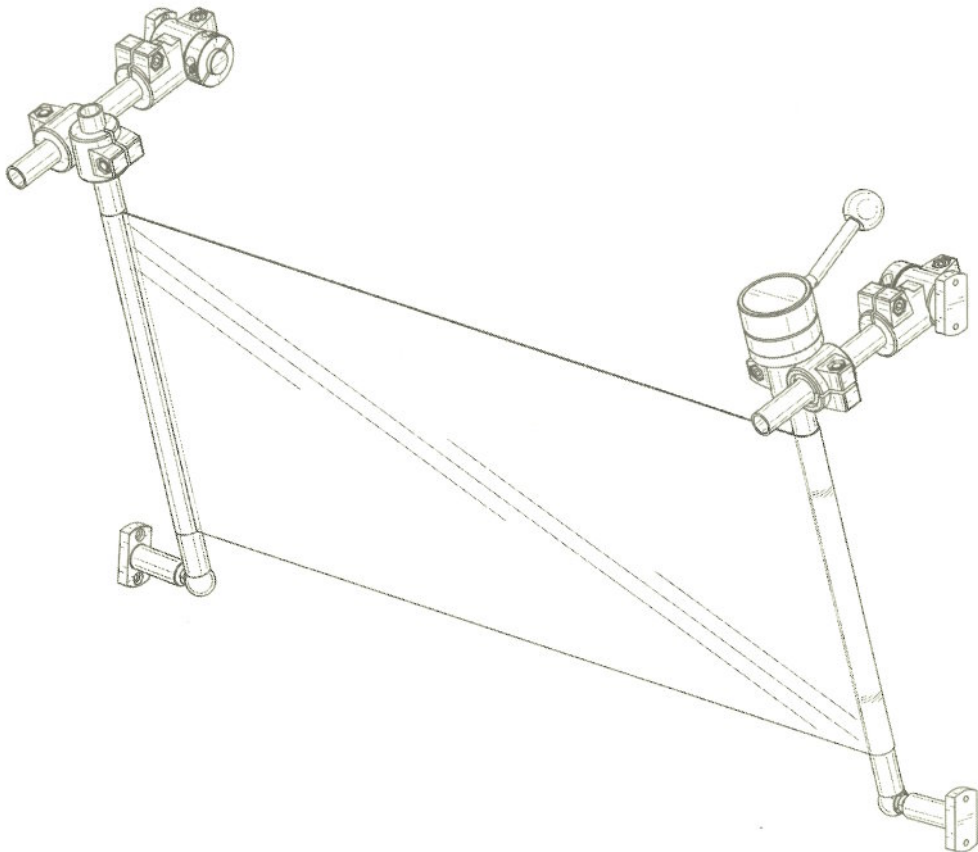


FIG. 2